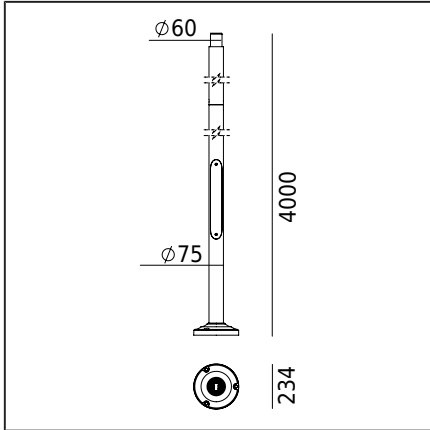


# NORLYS LAMPPOST 1277

LAMPPOST1277XX0009  
28.10.2024 v.09.9  
www.norlys.no



Type of accessory	
Type of accessory	Lightweight pole construction
Characteristics of the accessory	Lighting column (lightweight construction) designed for gardens, private areas, etc.

General information	
Materials	Powder painted aluminum cast.
Mounting method	Mounting the pole using anchoring elements: 3 holes $\varnothing 14$ mm, on a diameter of 206.7mm spaced $120^\circ$ apart. Other accessories must be ordered separately.
Terminal	Connection terminal: for cable max $3 \times 4$ mm <sup>2</sup> . Round cable sheath with max diameter $\varnothing 12.5$ mm. Pole equipped: with inspection door, PE wire terminal.
Height of the pole	400cm
Luminaire mounting diameter	$\varnothing 60$
Net / gross weight of luminaire	8,1kg / 9,55kg
Box dimensions [cm]	210x25x25
Luminaire dimensions [cm]	400x24x24

## Files to download

Manual

## Indexes

Index	Color	RAL
1277AL	ALUMINUM	9006
1277B	BLACK	9005
1277GR	GRAPHITE	7016
1277W	WHITE	9003